

23.6-inch wall-mounted round screen

Product specification



BOE

Table of contents

1 Product Introduction	4
2 Product Features	4
3 product specification	4
4 Product Technical Parameters	5
4.1 Electrical parameters	5
4.2 System parameters	6
4.3 Environmental parameters	6
5 Product Dimensions	7
5.1 Dimensions of the whole machine	7
6 packs	7
6.1 Packaging materials	7
6.2 Packing List	7
7 storage conditions	7
8 Notes	8

1 Product introduction

23.6-inch circular screen adopts BOE original mask, providing users with ultra-high-definition display quality and ultra-wide viewing angle viewing effect. Excellent processor performance and unique backlight processing technology make the product performance more excellent, with a longer service life of up to 50,000 hours.

Full body metal craft, customized UI interface/player, can be widely used in chain restaurants, retail supermarkets, department stores, banks and securities, bus guides, subway platforms, hospital guides, airport theaters, providing perfect product information display and convenient self-service.

2 Product Features

1. High-definition picture quality

- ✓ IPS screen is adopted to provide high-definition display and wide viewing angle viewing effect.
- ✓ The color saturation reaches 16.7M colors, super realistic color reproduction.
- ✓ High brightness, enhance viewing visibility .

2. Safe and reliable. Work uninterrupted

- ✓ Original mask screen, reliable quality.
- ✓ The whole machine supports 7* 24 hours of uninterrupted work .
- ✓ The unique backlight processing technology increases the working life of the whole machine to 50,000 hours.

3. Circular space. Wireless imagination

- ✓ The perfect integration of content and screen makes smart advertising ubiquitous.
- ✓ Customized UI/player development , no dark areas on the screen , more realistic playback .

3 product specifications

project	Specification	Remark
Product number	JH 236A09	Without profile/without

			touch
		JH 236A10	Silk screen mirror silver / with touch
		JH 236A11	mirror glass / with touch
Product Size		23.6 inches	
home screen	size	23.6 inches	
	AA viewing area	599.424 *599.424mm	
	resolution	1280*1280	
	pitch	0.4683 × 0.4683 (mm)	
	brightness	1500cd/m ² (Typ.)	
	contrast	1000:1 (Typ.)	
	color saturation	16.7M(8bits)	
	color gamut	72& NTSC(Typ.)	
	Response time (G to G)	14ms	
viewing angle	89/89/89/89 (Min.) (CR≥10)		
Display method	Landscape (horizontal)		
Shell material		Aluminum alloy metal front shell , metal back shell	
frame color		Rose gold (customizable)	
Overall size		681*681*22.4mm (thickness Max. 50.8mm)	
VESA holes		200*200mm	with wall mount
net weight		15KG	
continuous working time		Support 7* 24 hours uninterrupted display	

4 Product Technical Parameters

4.1 Electrical parameters

project	Specification	Remark
Input voltage	AC100V~240V@60HZ/50HZ	
Maximum power consumption	120W(Max.)	
Standby power consumption	<1W	
Speaker power	10W*2	
touch	support	

remote control	infrared	
human sensor	Optional	
switch	support	

4.2 System parameters

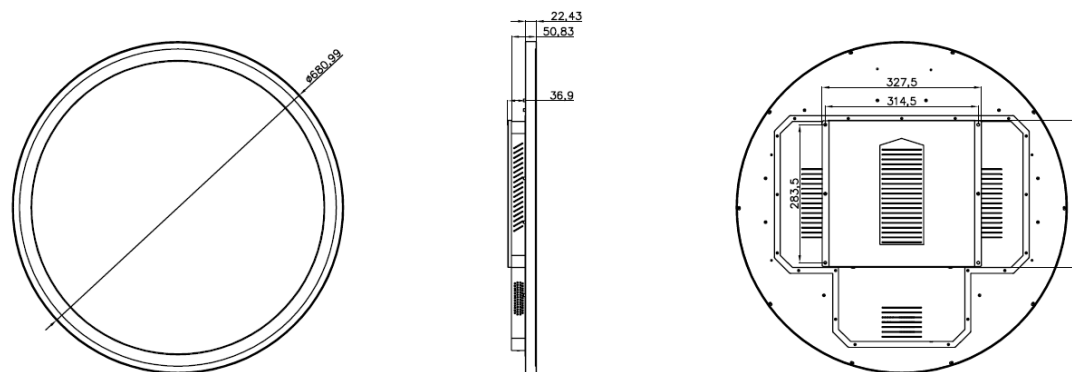
project	Specification	Remark
processor	Cortex - A17 quad- core 64-bit processor, 1.8Ghz	
image processor	Quad-core Mali- T 764	
operating system version	Android 5.1 and above	
Memory	2GB DDR4 (expandable support 4G)	
Flash	8GB EMMC (expandable support 16G/32G)	
show	Support HDMI 4K display output	
WiFi	IEEE 802.11b/g/n/ac 2.4GHz	
USB2.0	2	
SD/TF card	1	
RJ45	1	10/100Mbps
HDMI OUT	1	
Timer switch	Support RTC timing switch configuration	

4.3 Environmental parameters

workplace	indoor
Operating temperature	0 ° C ~ 40 ° C
Working humidity	2 0%~ 80 % no condensation
Storage temperature	- 20 ° C ~ 60 ° C
storage humidity	10%~90% non-condensing

5 Product Dimensions

5.1 Dimensions of the whole machine



6 packs

6.1 Packaging materials

Corrugated box + EPE lining

6.2 Packing list

serial number	materials	quantity	unit
1	One machine	1	tower
2	remote control	1	piece
3	Power cord (1.5m)	1	root
4			

7 storage conditions

Storage period and optimal storage temperature: constant temperature and humidity storage (temperature $23\pm 3^{\circ}\text{C}$, humidity $55\pm 5\%RH$)

8 Notes

In order to ensure the reliable use of equipment and the safety of personnel, please observe the following items during installation, use and maintenance:

1. System grounding

The system must have perfect grounding treatment, otherwise, it will not only cause signal interference, instability or mechanical damage, but also may cause personal accidents due to leakage.

2. It is forbidden to change the original design

It is forbidden to make any design changes or add parts to this product, otherwise, the manufacturer will not be responsible for the resulting harmful results.

3. There are AC 220V high-voltage components inside the machine, please do not open the case without authorization to avoid the risk of electric shock.

4. Do not place the system equipment in a place that is too cold or too hot. When it is rainy and humid or it is not in use for a long time, the main power switch of the equipment should be turned off.

5. The power supply of the equipment will generate heat when it is working, so it is necessary to maintain good ventilation in the working environment to avoid damage to the machine due to excessive temperature.

6. Non-professionals, without permission, please do not try to disassemble the equipment case, and do not repair it privately, so as to avoid accidents or aggravate the damage of the equipment.