

DE\*\*A

32"/43"/50"/55"/65"/75"

500nits Digital Signage - Android



## Key Feature

- 500nits
- 7 × 24 Operation
- Android 12
- Octa Core-A55
- Built-In Speaker
- Slim and light Design
- Landscape & Portrait Installation support
- VESA Mounting Interface

## Specification

Model	DE32A	DE43A	DE50A	DE55A	DE65A	DE75A
<b>Display</b>						
Screen Size (Diagonal)	32 inch	43 inch	50 inch	55 inch	65 inch	75 inch
Native Resolution	1920 (H) × 1080 (V)			3840 (H) × 2160 (V)		
Aspect Ratio	16 : 9					
Brightness	500 cd/m <sup>2</sup>					
Contrast	≥ 1200 :1					
View Angle	178°(H) / 178°(V)					
Display Color	16.7M					
Response Time	8ms					
Operation Time	7 × 24H					
Life Time (Light Source)	50,000 hrs (Typ.)					
<b>Interface</b>						
HDMI IN 2.0	× 1					
USB 3.0	× 1					
USB 2.0	× 1					
Earphone	× 1					
RJ45	× 1					
<b>Configuration</b>						
CPU	Octa Core A55, 1.2GHz, up to 1.5GHz					
GPU	Multi-Core Mali-G52					
RAM/Storage	4G/32G					
OS	Android 12					
LAN	10/100M					
WIFI	2.4G+5G					
Bluetooth	Yes					
Built-In Speaker	5W × 2 (8Ω)					
<b>Power</b>						
Power supply	AC 100~240V 50/60Hz					
Power consumption	≤ 50W	≤ 70W	≤ 138W	≤ 168W	≤ 240W	≤ 340W
<b>Environment</b>						
Operation Temperature	0°C~50°C					
Operation Humidity	20%~80% RH					
Storage Temperature	-20°C~60°C					
Storage Humidity	10%~80% RH					

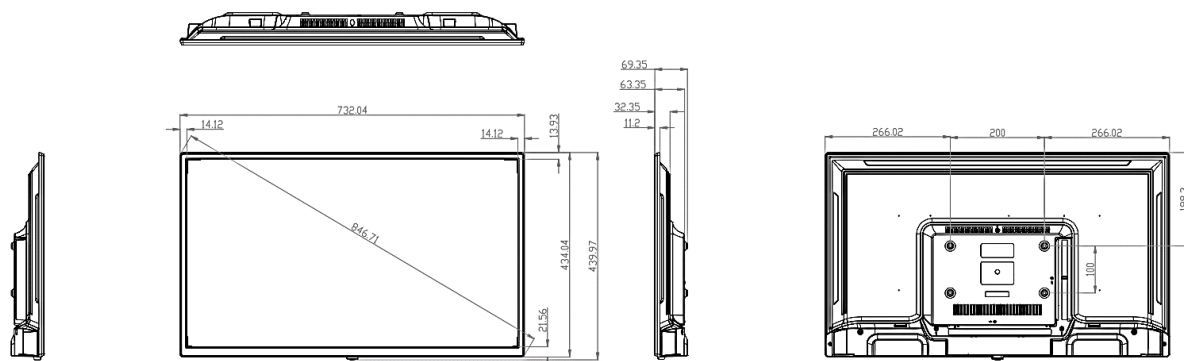
## Specification

Model	DE32A	DE43A	DE50A	DE55A	DE65A	DE75A
<b>Physical</b>						
Color	Black					
Bezel Width(mm)	14.1(L/R) 13.9/21.6 (T/B)	14.9(L/R) 15/20 (T/B)	16.2(L/R/T) 23.3(B)	16(L/R/T) 23.8(B)	15.5(L/R/T) 22.2(B)	15.3(L/R) 15.4/18.7 (T/B)
Tempered Glass	-					
Body Dimension w/o Stand(W×H×D, mm)	732×440 ×69.4	972.6×576 ×82.6	1131.2×665.6 ×78.7	1243.7×728.7 ×79.3	1461.4×843.2 ×80.4	1683.8×965.3 ×81
Set Weight w/o Stand	3.5kg	6.5kg	10.5kg	12.5kg	TBD	TBD
Package Dimension (W×H×D, mm)	797×492 ×112	1025×610 ×128	1184×709 ×141	1320×796 ×158	TBD	TBD
Package Weight	6.5 kg	8.5 kg	15.5 kg	17.5 kg	TBD	TBD
VESA Mounting	200×100	200×200	200×200	200×200	300×200	400×300

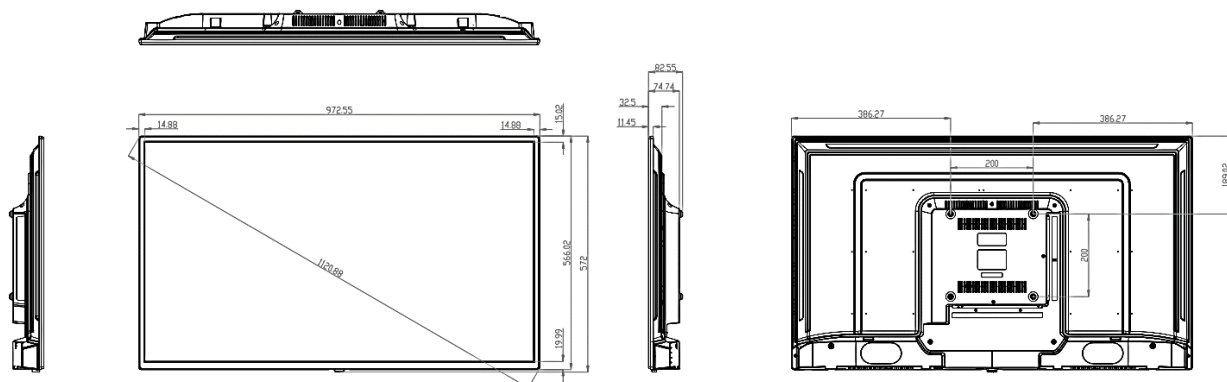
## Dimension Drawing

DE32A

Unit: mm



DE43A

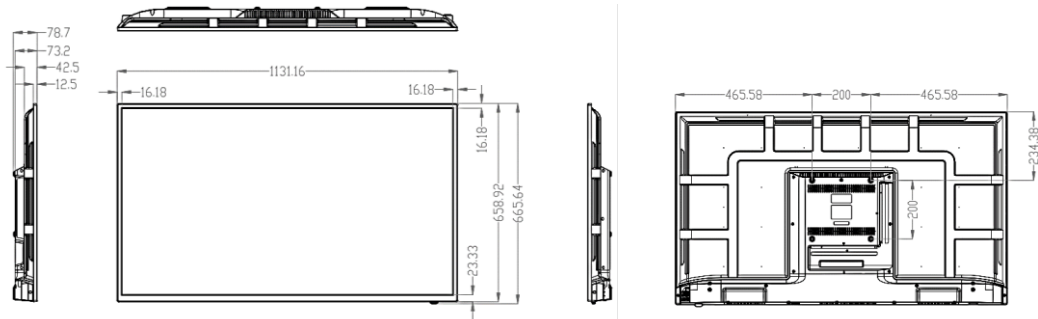


## Specification

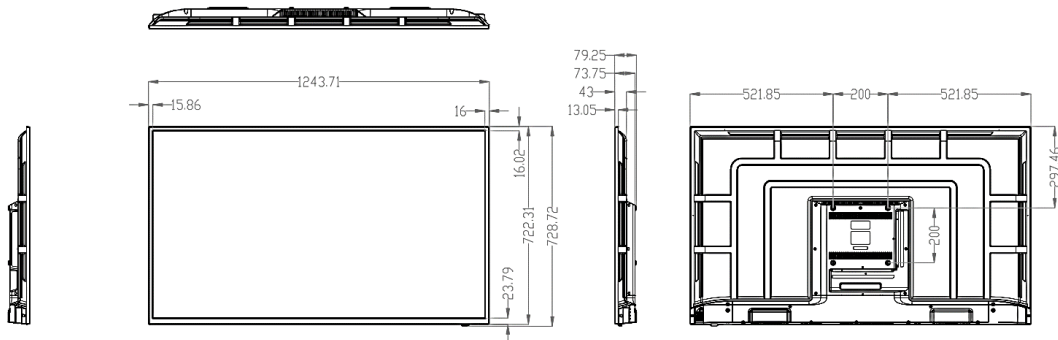
### Dimension Drawing

Unit: mm

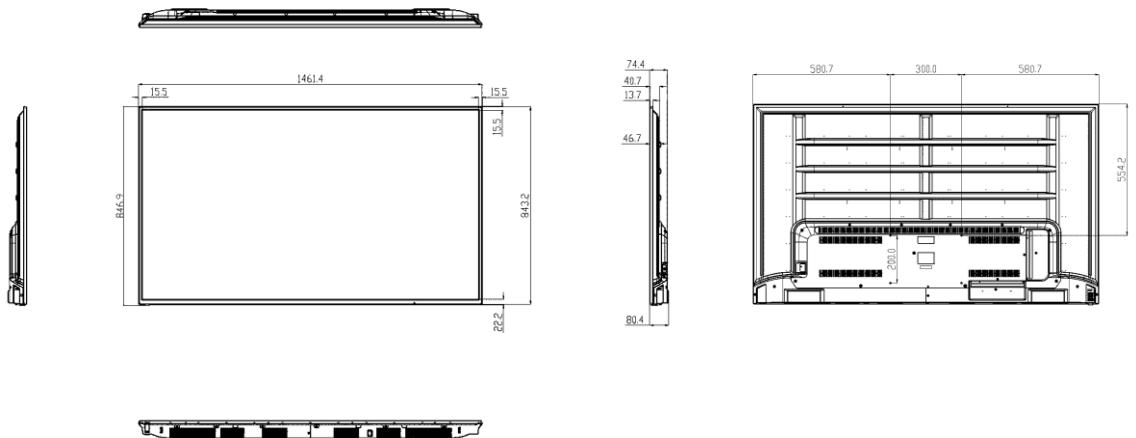
DE50A



DE55A



DE65A

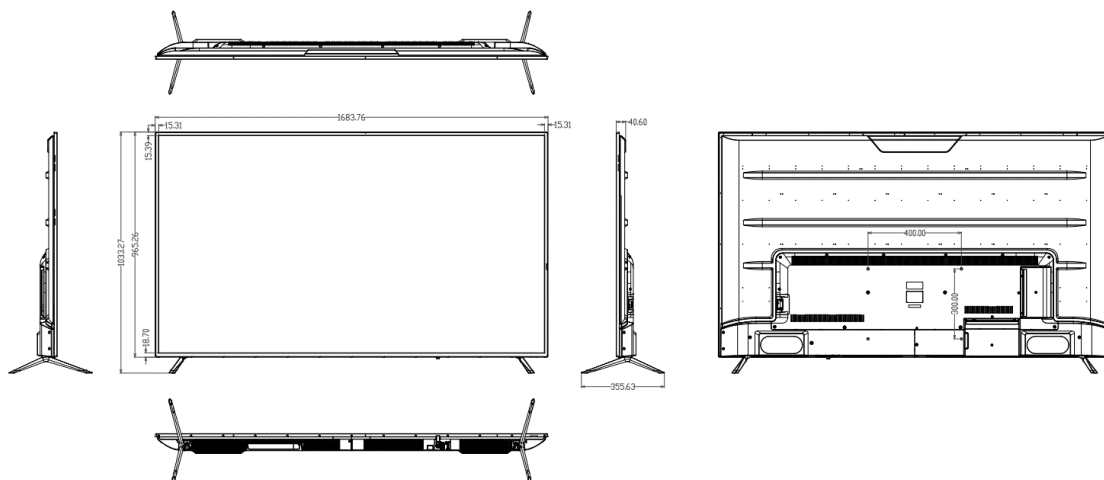


## Specification

### Dimension Drawing

DE75A

Unit: mm



### Accessories Lists

No.	Parts	Qty	Specification
1	Power cord	1	1.5m
2	Remote controller	1	-
3	User manual	1	-