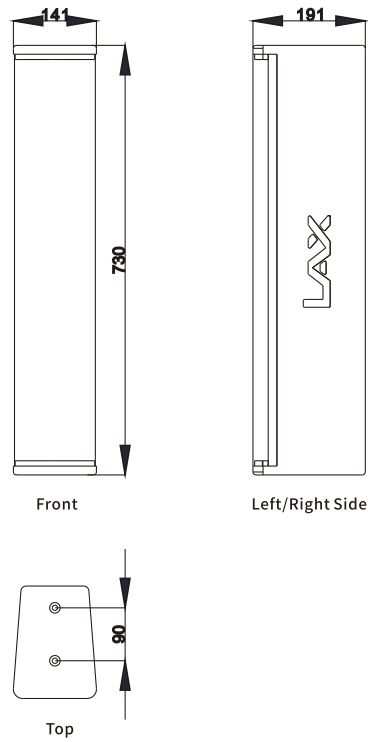


■ Outline:



PTL404
Compact Column Speaker
User Manual



Executive Standard: GB/T 12060.5-2011
Manufacturer: Guangzhou Ruifeng Digital Technology Co., Ltd.

4x4 inch Column Speaker **PTL** Series Column Speaker

System Application:

Home theater, Live performances
 Multipurpose hall, Banquet hall
 Conference halls, Shopping malls, Stadiums
 Bar, Restaurant, School

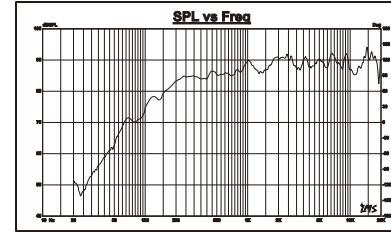
Product Features:

PTL404 is a two-way 4-inch compact column speaker. The high frequency is configured with a high-frequency driver loaded with a (90°x 60°) wide-direction horn, and the mid-low frequency is configured with 4 vertically arranged 4-inch high-sensitivity paper cone drivers. The power of the whole speaker reaches 250W, and the Maximum SPL is 125dB.

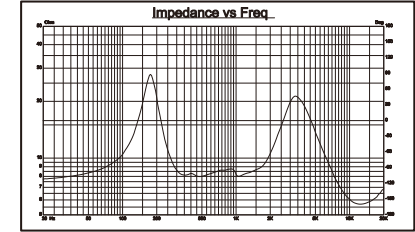
Technical Specification:

Model No.	PTL404
Frequency Response	115Hz-19KHz(-10dB)
Sensitivity (1W/1m)	95dB
Nominal Impedance	8Ω
Rated Power(AES)	250W
Dispersion(H X V)	90°x60°
Maximum SPL	125dB
Dimensions (W X D X H)	142x191x730MM
Net weight	9Kg

Product Curves:

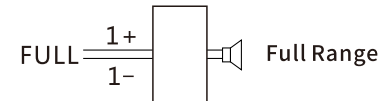


Frequency Response Curve

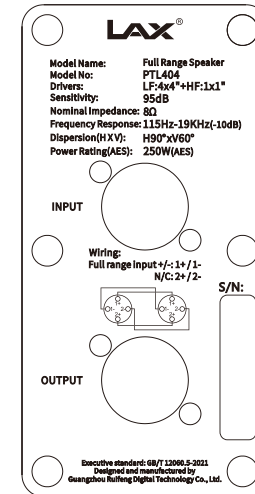


Impedance Curve

Connections:



Wiring



Wiring Panel