

AT108ND-V2 AT Series

Curve array series

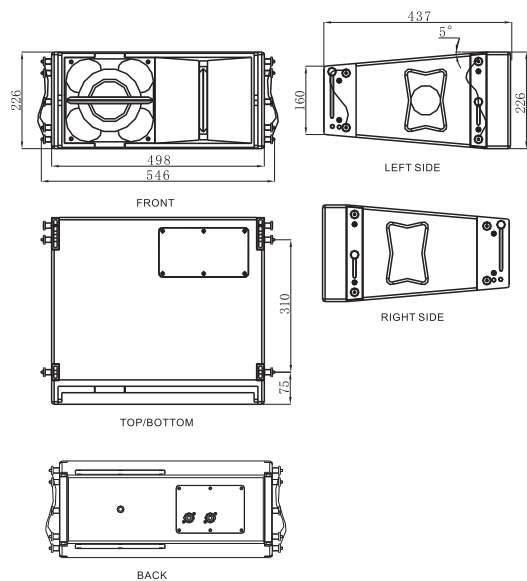


Two-way active curve array loudspeaker

Application

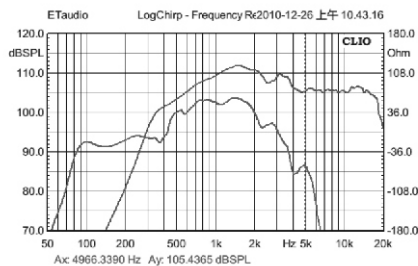
- Main speakers for sounds reinforcement
- Theatre, Auditoria, Concert hall
- Stadiums
- Convention hall and multi-purpose hall
- Clubs and DISCO main speakers

Dimension

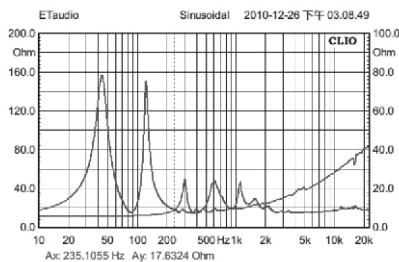


The HF unit of AT108ND-V2 used a 75mm composite diaphragm. The high output LMF driver loading, which has 50mm voice coil, owns the latest patent technology ACPD (Acoustic Correction Passive drive) and employs the latest ISV (Interleaved Sandwich Voice coil) technology. Ingenious phase inversion with axial symmetry, passive heat sink of driver unit and three combined design of handles, which improve the efficiency of phase-inverted tube, enable better high damping factor of cabinet tuning and efficiently reduce the heat of loudspeaker unit. All aluminum concealed fittings could reduce the cabinet weight and hang as much as 16 cabinets. Meantime it is qualified with 7:1 safety factor. The adjustable angle of each speaker is from 0° ~10°. Various hanging installations greatly expand the use of speaker.

Frequency Response



Impedance



Technical specification

Frequency response	90Hz-18kHz(±3dB) 80Hz-20kHz(-10dB)
Sensitivity(1W/1m)	HF:109dB,LF:103dB
Rated power(AES)	HF:75W,LF:250W
Nominal impedance	16 ohm
Dispersion	100° H
Bass	8" low frequency, 50mm voice coil
Driver	Titanium composite film and neodymium magnet driver,75mm voice coil
Enclosure	Phase inverted
Max SPL	HF:127dB(continuous), 133dB(peak) LF:126dB(continuous), 132dB(peak)
Connector	2 SPEAKON NL4MP HF:2+ 2-,LF:1+ 1-
Flying kits	AT108ND-V2FK
Fittings	Aluminum bushing on the two sides,bolt
Dimension(WxDxH)	546x437x226mm
Weight	19kg