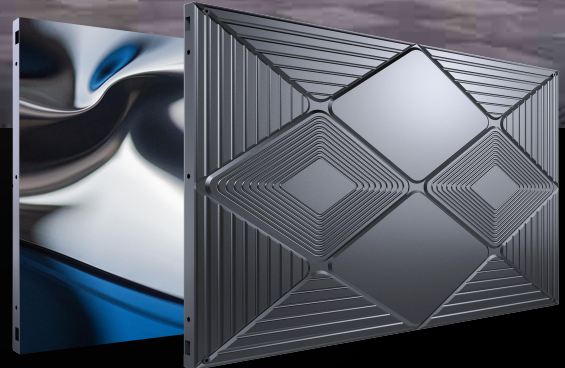




Most Competitive Micro LED & Mini LED Display Manufacturer



# NX COB PLUS P1.25

Fine Pitch LED DISPLAY



Free & Seamless Splicing



Ultrahigh Refresh Rate



Wide Viewing Angle



Quick Response Time



More Color Depth

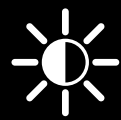


Wide Color Gamut



8000:1

Superior Contrast Ratio



High Brightness



Excellent Heat Dissipation



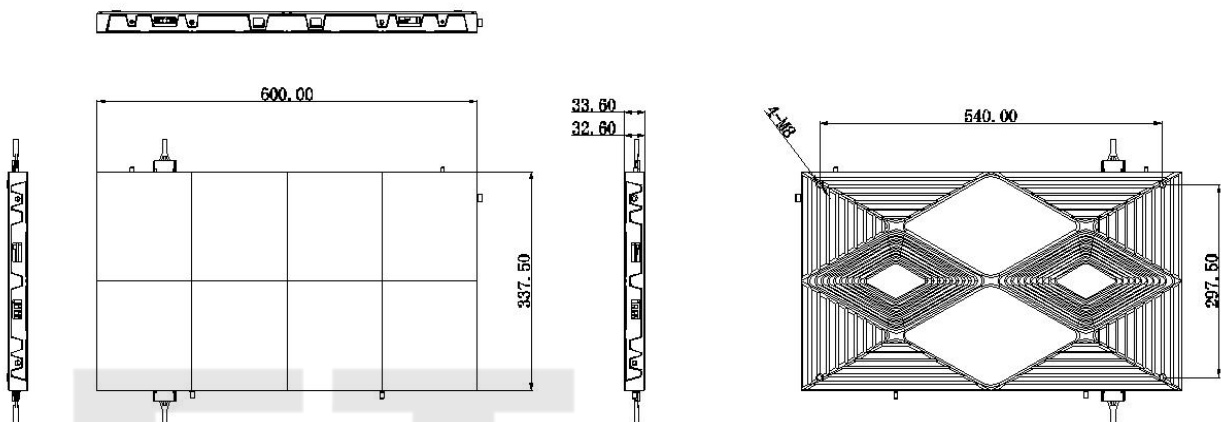
NX is a cost-effective indoor fine pitch LED display with a cabinet aspect ratio of 16:9. NX adopts an adjustable connector to minimize the use of cables for more stable and better performance. The popular cabinet sizes are widely used in the LED display market, it can fulfill various scenarios. NX comes with a high refresh rate, high contrast ratio, and wide viewing angle. This series is full front maintenance with a long LED lifetime. It's definitely the quality product for money.

## DIMENSION IN MM

### NX COB PLUS

600 x 337.5 x 33.6 mm

4.7 kg



ALC

# NX COB PLUS Series

Physical Parameter	Pixel Pitch	1.25 mm
	LED Type	Full-Flip-Chip COB
	Pixel Density (m <sup>2</sup> )	640,000 pixels/m <sup>2</sup>
	Pixel Density (Cabinet)	129,600 pixels/cabinet
	Resolution of LED Module (W × H)	120 x 135 pixels
	Resolution of Cabinet (W × H)	480 x 270 pixels
	LED Module Size(W × H)	150 x 168.75 mm
	Cabinet Size (W × H × D)	600 x 337.5 x 33.6 mm   27 in
	No. of Modules Per Cabinet(W × H)	4 x 2
	Cabinet Area	0.2025 m <sup>2</sup>
	Aspect Ratio	16:9
	Weight (per cabinet)	4.7 kg
	Cabinet Material	Die-casting Aluminium
Optical Parameter	Brightness - Adjustable	600-1000 nits Adjustable
	Contrast Ratio	5,000 : 1
	Horizontal Viewing Angle	≥170°
	Vertical Viewing Angle	≥170°
	Scan Rate(Common Cathode)	40
	Color Temperature - Adjustable	5000~10000 K
Electrical Parameter	Average Power Consumption(W/m <sup>2</sup> )	≤90
	Max Power Consumption(W/m <sup>2</sup> )	≤300
	Input Power Voltage	AC220±15%V, 50/60 (Hz)
Processing Parameter	Drive Mode	Constant Current Common Cathode
	Frame Rate	50-60 Hz
	Refresh Rate	7680Hz
	Gray Scale Processing	16 bit
Operation Conditions	Operating Temp/Humidity	-10 - 45°C/ 10% - 90%RH
	Storage Temp/Humidity	-40 - 60 °C/ 10% - 70%RH
	IP Rating	IP65 Module Surface ONLY
	Life span, typ.	100,000 Hrs
Service	Servicing	Front
Certification	Certification	CE, CB

**\*Product information is subject to change without prior notice.**



9-10th Floor , 1st Building, E Zone, Guangda We Valley,  
4th keji Road, Songshan Lake High-tech Industrial Development Zone,  
Dongguan City, Guangdong Province ,China

0086-769-38820268 www.aetint.com sales@aetled.com