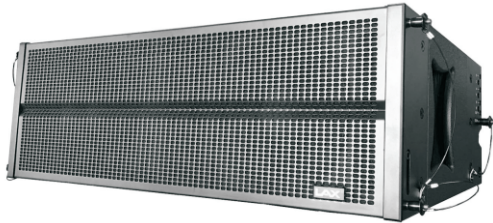


2×10 " Two-way Full Range Speaker

Series Line Array

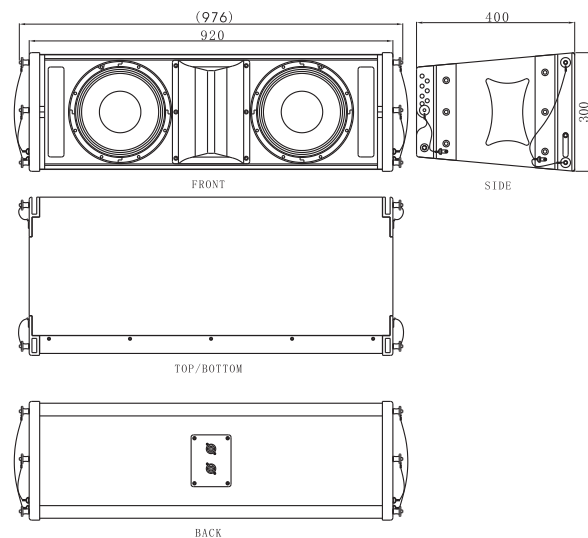


2×10 " Two-way Full Range Line Array

Applications

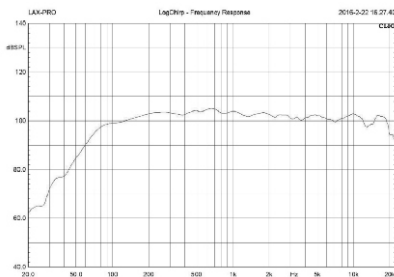
- Main speaker for sound reinforcement system.
- Theatre, auditorium, live performance, places of worship.
- Stadium, conference room, multipurpose.
- Clubs & Disco.

Dimension

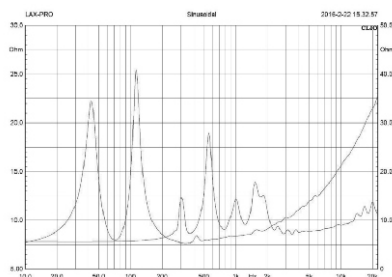


The application of DCH-Directivity Correction Horn ensures the constant directivity in the high frequency range. The drivers of high frequency and of low frequency both incorporates neodymium magnets for higher efficiency and power handling with reduced weight and dimension. Bass reflex enclosure has internal symmetrical heat-dispersion tubes to prevent the system from overheating. The innovated rigging hardware make it easy to hang 16cabints, the safety coefficient may reach 7:1. The variable hanging modes extend the usage of the cabinet.

Frequency Response



Impedance



Technical specifications

Frequency response	65Hz-17.5kHz(±3dB) 60Hz-18kHz(-10dB)
Sensitivity(1W/1m)	HF:110dB,LF:100dB
Rated power(AES)	HF:70W,LF:600W
Nominal impedance	HF: 8 ohm, LF: 8 ohm
Dispersion	120° x10°
Crossover	1.3kHz
LF	10" neodymium/65mm voice coil
HF	Titanium diaphragm/neodymium/72mm voice coil
Enclosure	Phase inversion
Max SPL	HF:128dB(continuous), 134dB(peak) LF:127dB(continuous), 133dB(peak)
Connector	2 SPEAKON NL4MP HF:2+ 2-,LF:1+ 1-
Flying kits	NOVO D10-V2FK
Dimension(WxDxH)	920x400x300mm
Weight	34kg