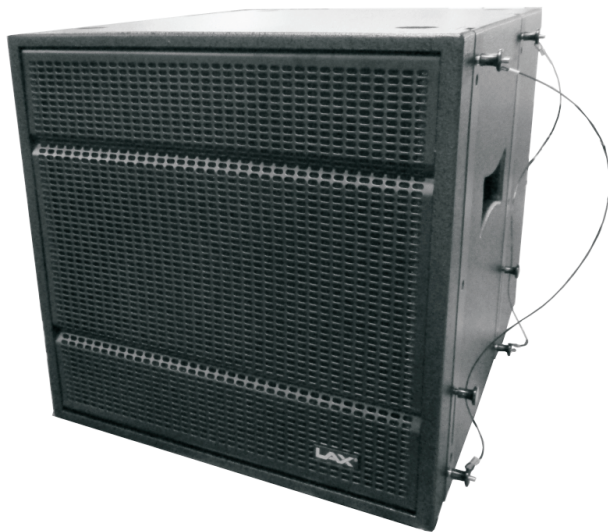


AT15B MK II AT Series

Curve array series

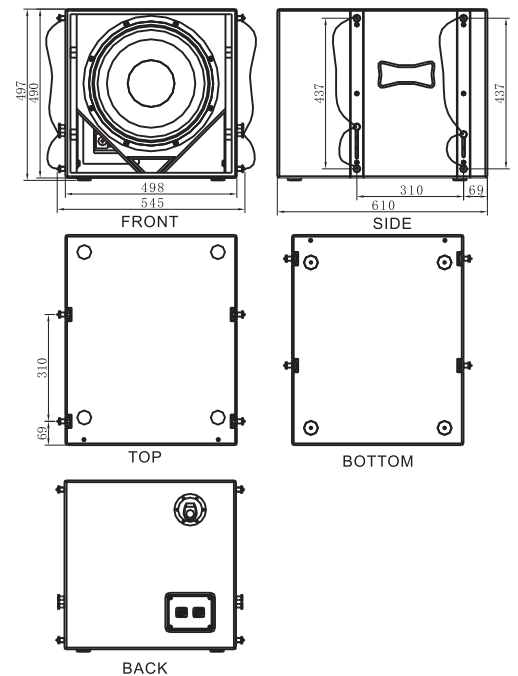


Single 15" vented subwoofer

Application

- Main speakers for sounds reinforcement
- Theatre, Auditoria, Concert hall
- Stadiums
- Convention hall and multi-purpose hall
- Clubs and DISCO mainspeakers

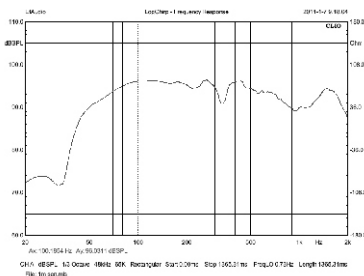
Dimension



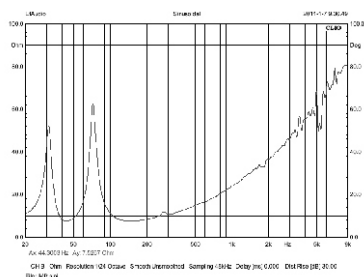
Application

- ◆ AT15B MK II consists inner aluminum flying kits, it can be hung up with AT15B MK II, also can stack AT108ND-V2 on it to make a stackable curve array.
- ◆ AT15B MK II uses a 15" bass unit which is the same design as the 18" woofer of TH800 series, when keeps the strength of low frequency, extends the lower limit to 27Hz, and reduces the low frequency distortion greatly, improves the output frequency of the 30-50Hz, increases the linearity stroke at the same time.

Frequency Response



Impedance



Technical specifications

Frequency response	40Hz-400Hz(± 3dB)
Sensitivity(1W/1m)	98dB
Rated power(AES)	800W
Nominal impedance	8 ohm
LF	15" 100mm voice coil
Enclosure	Phase inverted
Max SPL	127dB(continuous), 133dB(peak)
Connector	2 SPEAKON NL4MP 2+ 2-
Flying kits	AT108FK8/AT108FK16
Dimension(WxDxH)	545x610x497mm
Weight	40kg