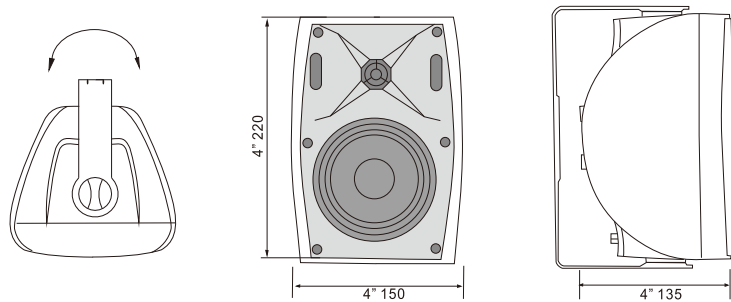


## The contour map:

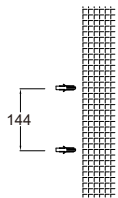


# LAX<sup>®</sup>

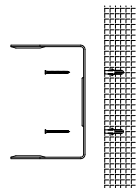
## VOLTAGE SPEAKER Instruction manual

### installation :

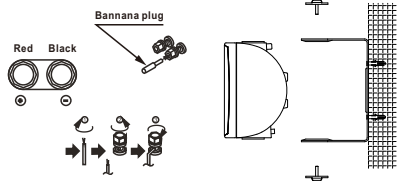
1. First, two mounting holes suitable for the  $\phi 6\text{mm}$  expansion rubber plug are punched on the wall, and the spacing between the holes is 144mm. Then, the  $\phi 6\text{mm}$  expansion rubber plug is punched.



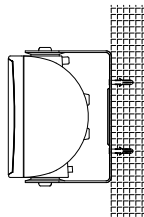
2. Remove the product bracket, align it with the pre-made expansion rubber plug on the wall, lock the ST4.0 tapping screw, and fix the bracket on the wall.



3. Connect the audio cable, then attach the product to the holder.



4. Then adjust the Angle of the speaker.



The appearance is for reference only,  
please refer to the real object

Product Performance Standards: GB/T 12060.5-2011  
Manufacturer: Guangzhou Ruifeng Digital Technology Co., Ltd.  
Address: No. 10, Shilou Section, Shilian Road, Shilou Town,  
Panyu District, Guangzhou

## Voltage Speaker

### Series application:

Shopping malls, schools, conference rooms, hotels and restaurants

### Product characteristics:

Extraordinary speech and music reproduction

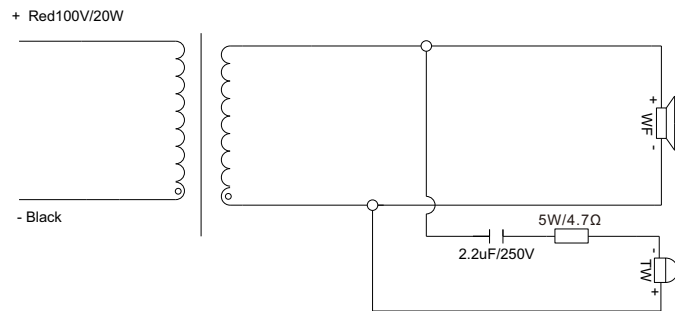
High strength HIPS material

Lower maintenance costs

Quick and easy installation

Conformity with CE standards

### Wiring diagram:



### Technical parameters:

Frequency Response	90Hz ~ 20kHz
Sensitivity(1M/1W)	90dB
Rated power	20W(100V)
The loudest pressure level	103dB
Dimension	220*150*135mm
Unit Weight	2.15kg

### Product curve chart:

