



USER MANUAL



Guangzhou Ruifeng Audio Technology Co.Ltd

Tel: +86 20 39280103
Fax: +85 20 39280141
Website: www.lax-pro.com

Address: NO.10 Shilou Section, Shilian Road,
Shilou Town,Panyu District,
Guangzhou City,China 511447

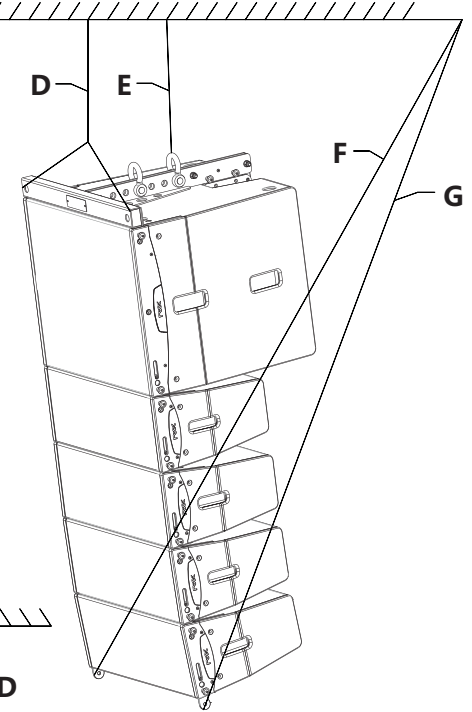
V.1.0 2023-09-25

The appearance of the product is for reference only

DIRECTORY

2×8"	2
appearance drawing	2
application scenario	2
product features	2
technical parameter	3
product curve	3
1×10"	4
appearance drawing	4
application scenario	4
product features	5
technical parameter	5
product curve	5
2×10"	6
appearance drawing	6
application scenario	6
product features	6
technical parameter	7
product curve	7
2×15"	8
appearance drawing	8
application scenario	8
product features	8
technical parameter	9
product curve	9
1×18"	10
appearance drawing	10
application scenario	10
product features	11
technical parameter	11
product curve	11
Composite graph	12-14
Hanger drawing	15
Hoisting diagram	16-17

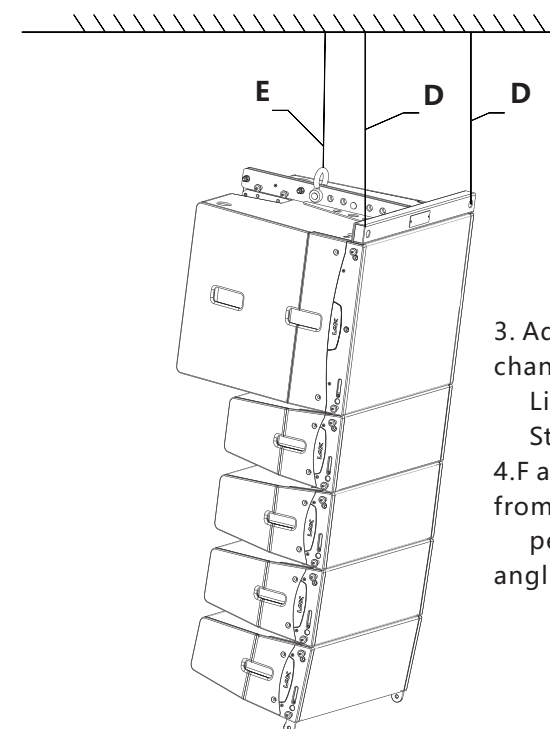
Method four



Basics:

1. D and E ropes are mainly load-bearing;
2. Adjust the position of E rope D buckle
Find the approximate center of gravity of the line array;

Method five



3. Adjustment of D and E rope length changes
Linear array angle, can be prepared
Steel rope tightener;
4. F and G are to prevent the whole string from shaking.
pendulum and assist in adjusting the angle.

● Five conventional lifting diagrams of T-shaped hangers (soft connection)

Basics:

1. A rope is the main load-bearing, adjust the D buckle position

Find the approximate center of gravity of the line array;

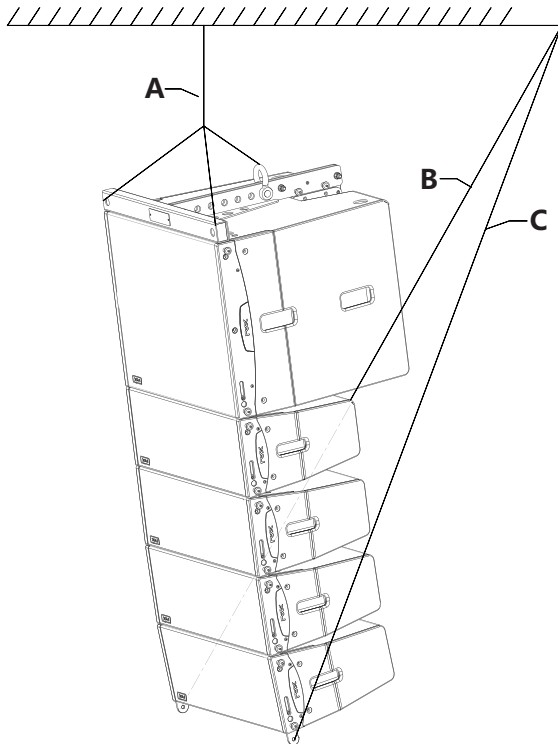
2. Adjust the angle of the linear array with ropes B and C.

It is forbidden to pull down to adjust the angle;

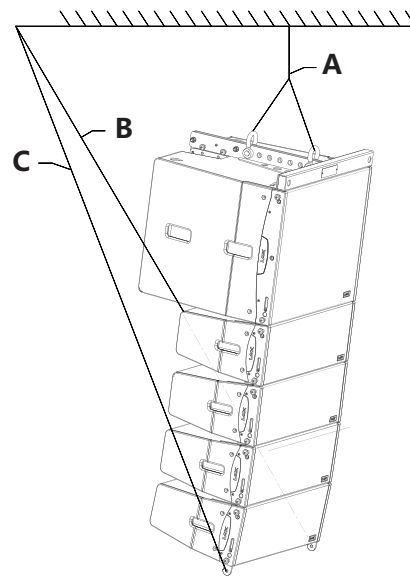
3. Increase the number as appropriate to prevent the entire string from swinging.

Wait for additional help to fix.

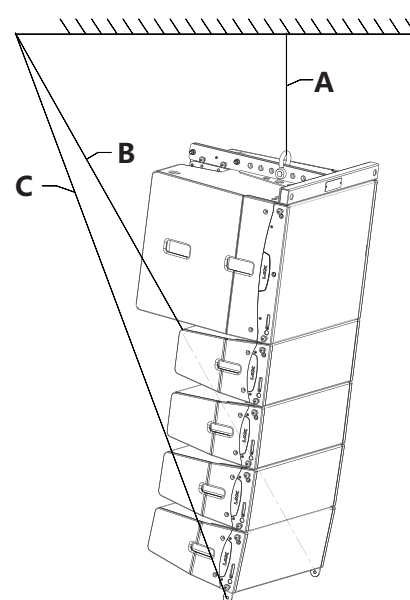
Method two



Method one



Method three



NOTES

Please read this manual carefully before operate the device.
Keep this manual in a safe place for reference.

⚠ WARNING

To avoid causing shock, short cut, damage, fire or any other dangers which lead to serious injury or even death, please ensure follow below notes. These notes include but not limited to below condition:

POWER SUPPLY / POWER CORD

- Keep the power cord away from heat sources, buckled or damaged. Do not place heavy objects on the device, or place the device in places where may causing trampled or crushed.
- Only use specify rated voltage of the device.
- Only use attachments power cord and plug.
- Regular checking and cleaning dirt of the power plug.
- Please ensure connect with grounded power sockets. Any disconnection of the grounding may cause electric shock.

DO NOT UNCLOSE THE DEVICE

Do not open the device, remove any internal parts or make any modifications. Stop using if any abnormal occur.

FIRE

Please do not place burning objects on the device, may causing a fire hazard.

THE DEVICE IS REQUIRED MAINTENANCE IN THE CONDITION BELOW

- If any of below condition occur, please disconnect the power supply by pulling the power plug. Ask professional person for maintenance.
 - Wore or damaged power cord or plug.
 - Abnormal smells or smokes.
 - Articles fall into the device.
 - Suddenly no sounds during operating the device.

⚠ CAUTIONS

To avoid causing any personal injury, facility or property damage, ensure follow below notes. These notes include but not limited to below condition:

POWER SUPPLY / POWER CORD

- Please grab the plug when pulling power plug from the device or power socket. Pulling power cord directly may cause damage.
- The device should be disconnected when unused for long periods of time or during lightning storms.

MOUNTED POSITION

- Do not place this device on unstable place, or might cause sudden turnover.
- If no safe fixation of the device, please do not installed in places even flat surface where easy falling down.
- Please do not use handles of the device for suspension installation, may causing damage or personal injury.
- During transportation or moving, make sure the device disconnected.
- Before installation, please contact with professional maintenance personnel, and must follow below notes:
 - Choose suitable installation site where can withstand the weight of the device.
 - Avoid places where constant vibration.
 - Use the correct tools for installation.
 - Inspect this device regularly.

CONNECTION

- Before connect this device with any other equipment, please turn off power switch of all the equipment.
- Please tune all the volume to minimum before turn on or off the power switch of all the equipment.

MAINTENANCE

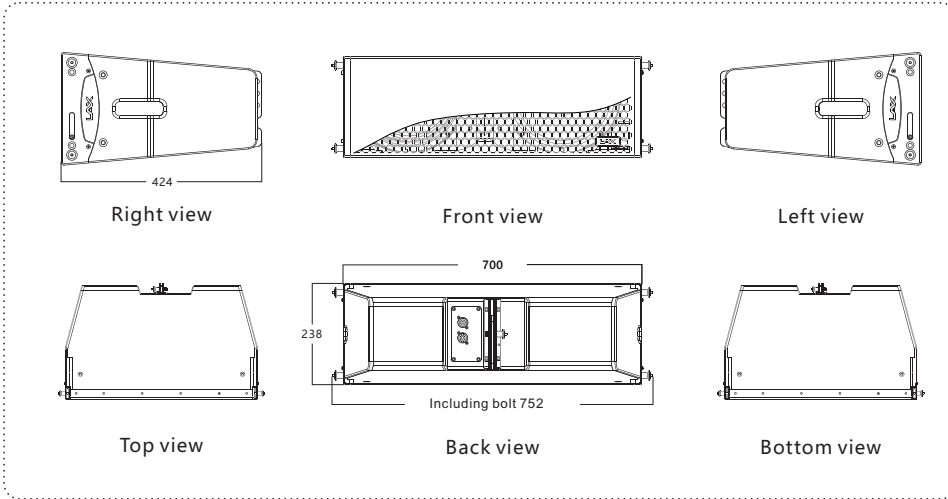
Please ensure pull the power plug from the AC power socket before cleaning this device.

OPERATIONS

- Do not insert fingers or hands in any ventilation slits of this device.
- Do not press body or place heavy objects on this device, avoid operating button, switch or socket excessively and forcibly.
- Do not use this device under very high or uncomfortable volume level for long periods of time, otherwise may cause permanent ear damage. When encounter deafness or tinnitus, please seek medical treatment.
- Stop using this device when output sound distortion. Continue using under such status the device may overheat and cause a fire hazard.

2x8 "

● APPEARANCE DRAWING:



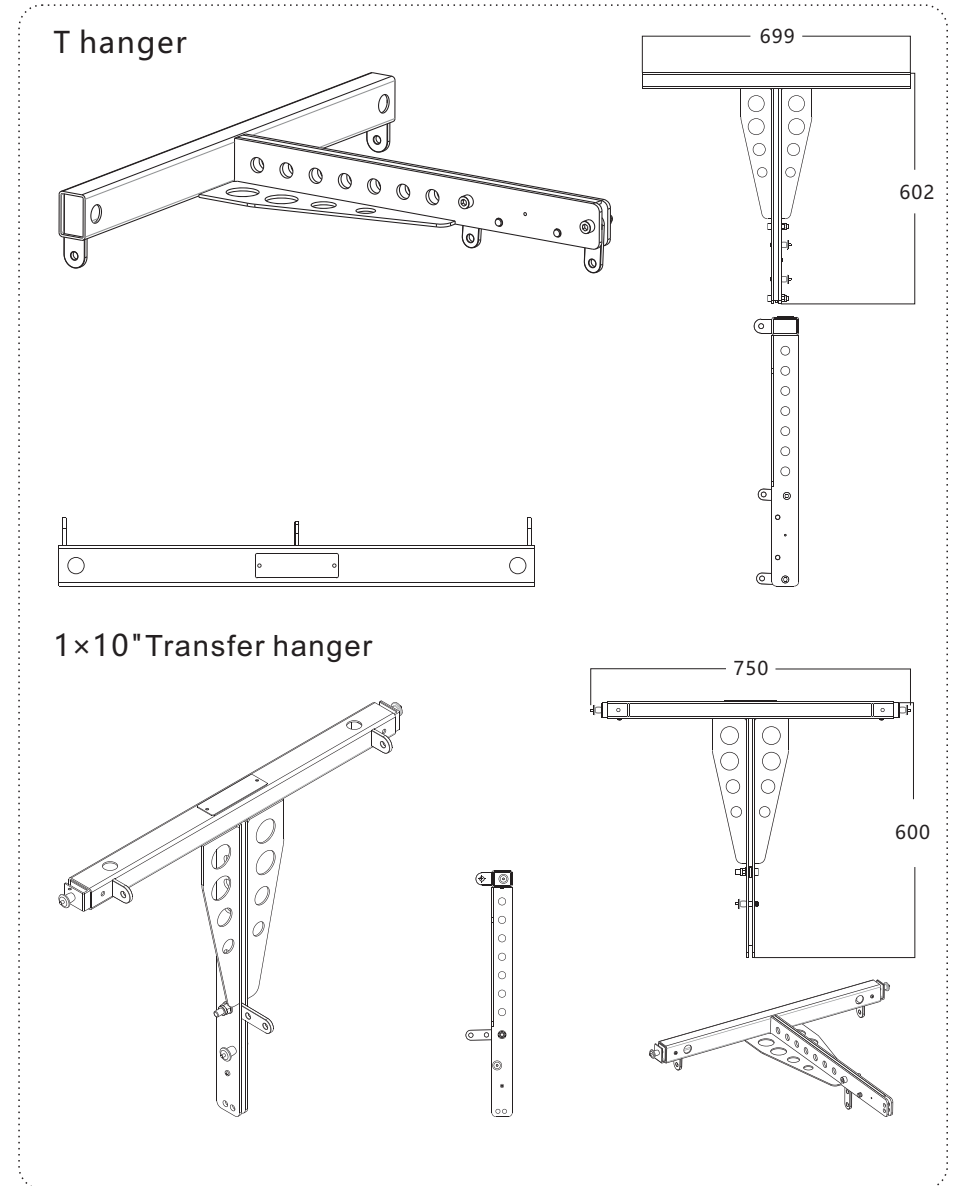
● APPLICATION SCENARIO:

Stadiums, theaters, performing arts halls, multi-purpose halls Lecture hall, auditorium, club, DISCO, mobile performance

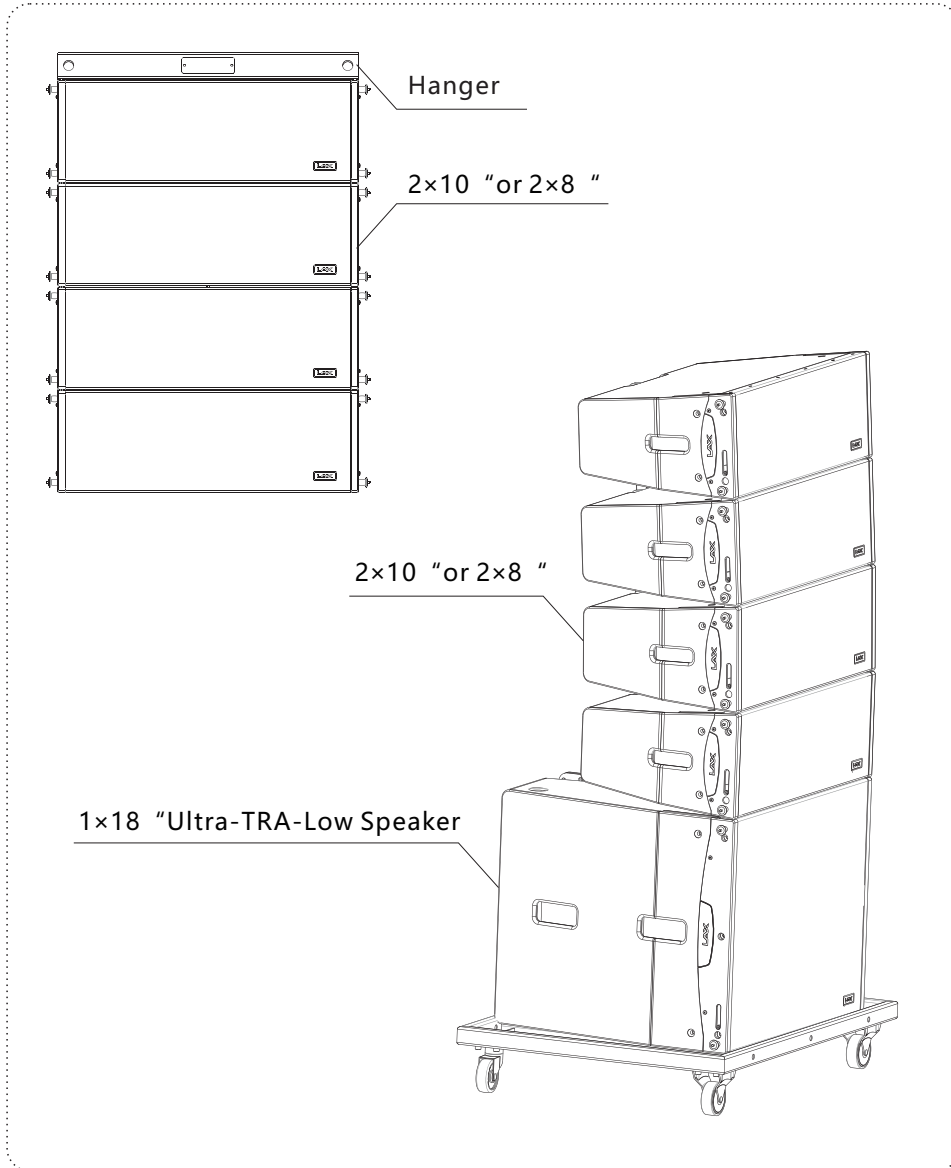
● PRODUCT FEATURES:

- The high frequency adopts the latest acoustic lens patent technology to realize the efficient conversion of the wave front from the point sound source to the line sound source. field application.
- The optimized system application design can drive the whole system with one power amplifier, greatly improving the economy of the system.
- Classic three-point hanging design, alloy aluminum casing and built-in connectors, simple appearance, light and beautiful, and easy hanging installation.
- Ultra-low and full-frequency products of this series can be combined to form a system according to requirements.

● HANGER DRAWING:



● COMPOSITE GRAPH:



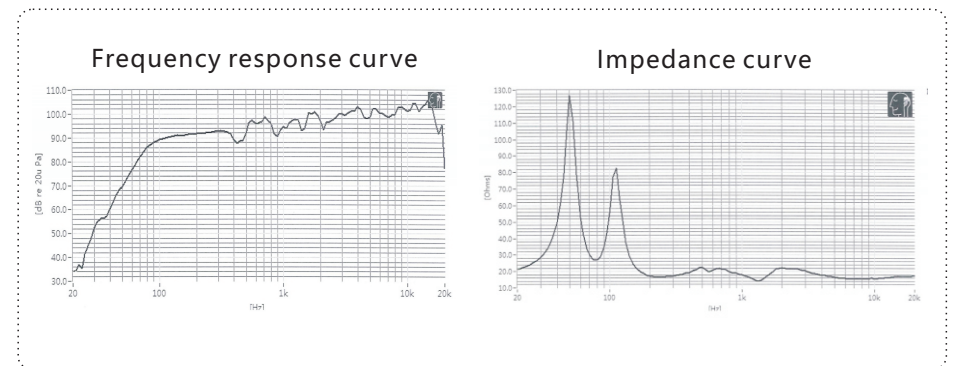
● TECHNICAL PARAMETER:

2x8 "

Frequency response	80Hz~19kHz	
Sensitivity	104dB	
Rated impedance	16Ω	
Maximum loud Pressure level	127dB(Continuous)138dB(Peak)	
Rated power	400W	
Directivity index (H° xV°)	100° x10°	
Box structure	Trapezoidal box, two suction hands placed in the center of gravity of the box.	
Overall dimension	Width 752mm×Height238mm×length424mm	
Net weight	23.4KG	
Connection mode (Full frequency input)	Regular version:1+1-	Waterproof version:1+2-

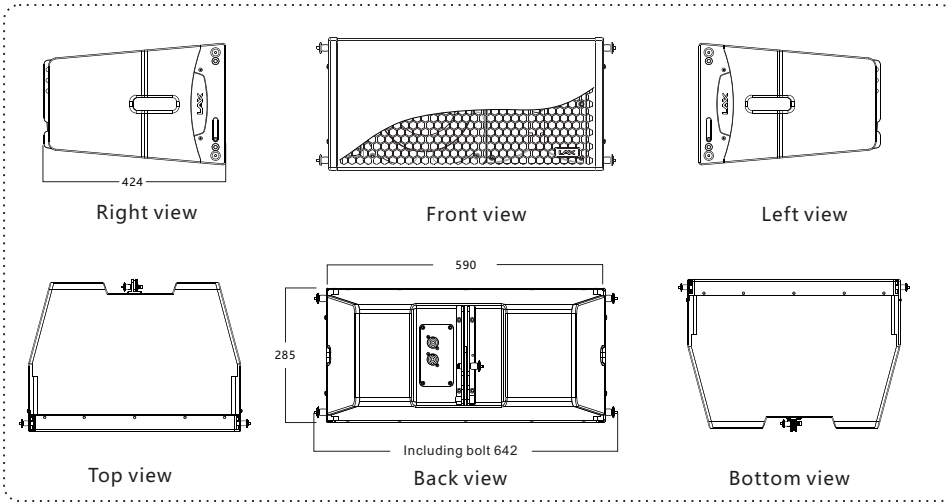
● PRODUCT CURVE:

2x8 "



1×10 "

● APPEARANCE DRAWING:



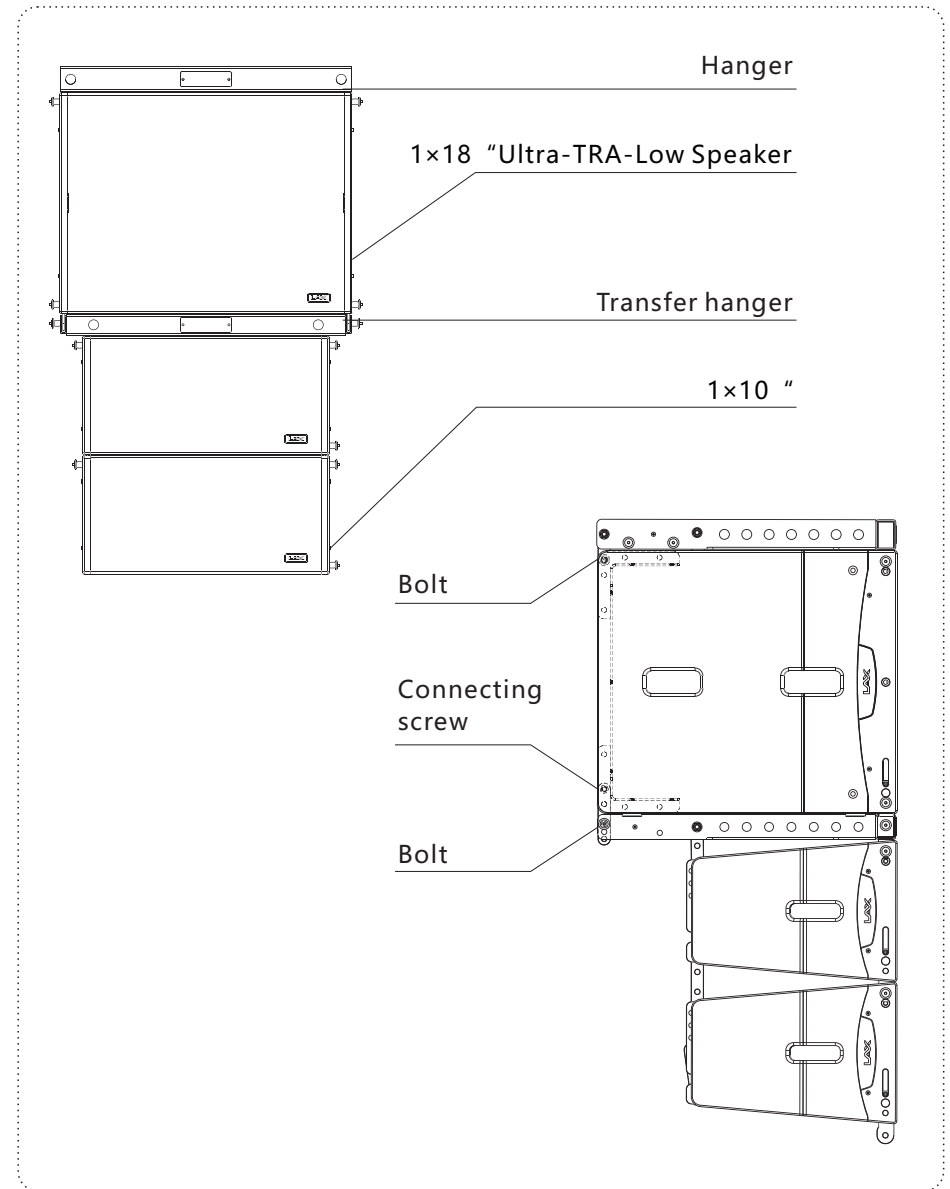
● APPLICATION SCENARIO:

Stadiums, theaters, performing arts halls, multi-purpose halls Lecture hall, auditorium, club, DISCO, mobile performance

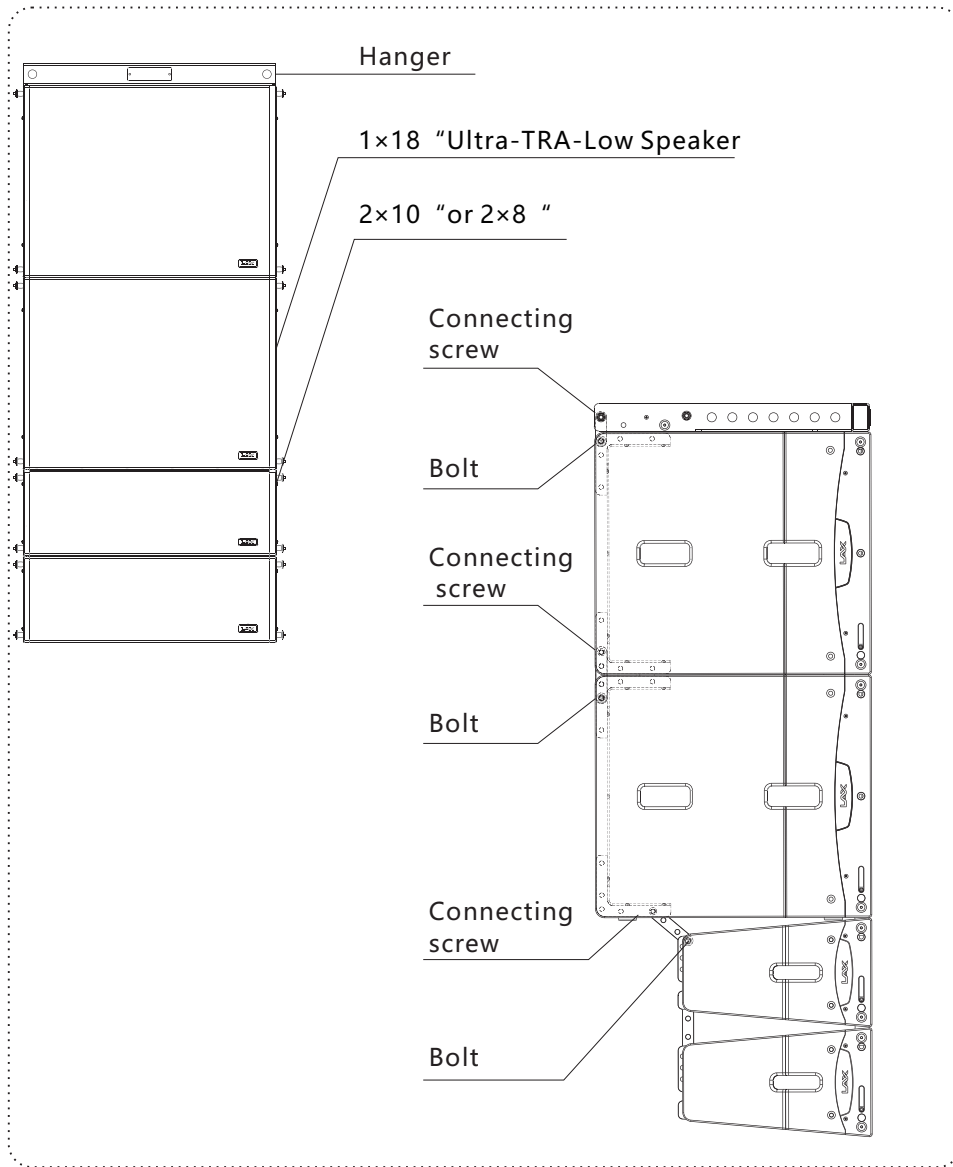
● PRODUCT FEATURES:

- The high frequency adopts the latest directivity correction horn (DCH) technology, so that the high frequency part 1K to 16K has uniform directivity within 50 degrees of soil.
- ACPD patented technology (acoustic correction Passive drive) is adopted to increase the available output of the low-frequency bass driver to increase sensitivity, increase the sound pressure level, improve directivity, and increase the horizontal and vertical crossover points of the speaker bass drive unit.
- 10-inch ferrite is used for low frequency, and the phase-inverted box structure is suitable for various venue applications.

● COMPOSITE GRAPH:



● **COMPOSITE GRAPH:**



- The all-aluminum built-in hanger reduces the weight of the cabinet, and can hang up to 16 speakers, and has a safety factor of 7:1. The adjustable angle of each speaker is 0°~10°, and a variety of hanging installations way to expand the use of speakers.
- Classic three-point hanging design, alloy aluminum casing and built-in connectors, simple appearance, light and beautiful, and easy hanging installation. Ultra-low and full-frequency products of this series can be combined to form a system according to requirements.

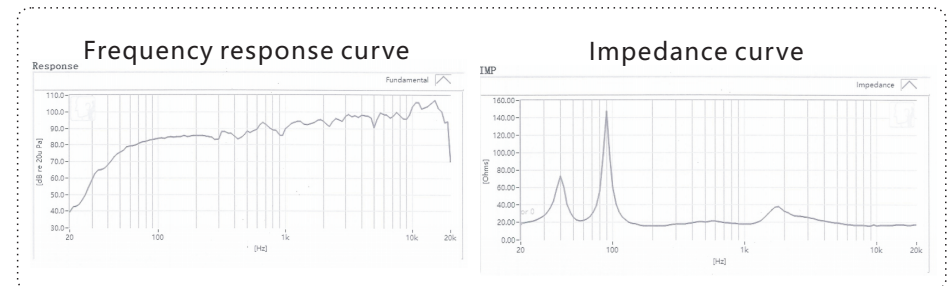
● **TECHNICAL PARAMETER:**

1x10 "

Frequency response	80Hz~19kHz	
Sensitivity	103dB	
Rated impedance	16Ω	
Maximum loud Pressure level	127dB(Continuous)129dB(Peak)	
Rated power	300W	
Directivity index (H° xV°)	100° x20°	
Box structure	Trapezoidal box, two suction hands placed in the center of gravity of the box.	
Overall dimension	Width 642mm×Height285mm×length424mm	
Net weight	23KG	
Connection mode (Full frequency input)	Regular version:1+1-	Waterproof version:1+2-

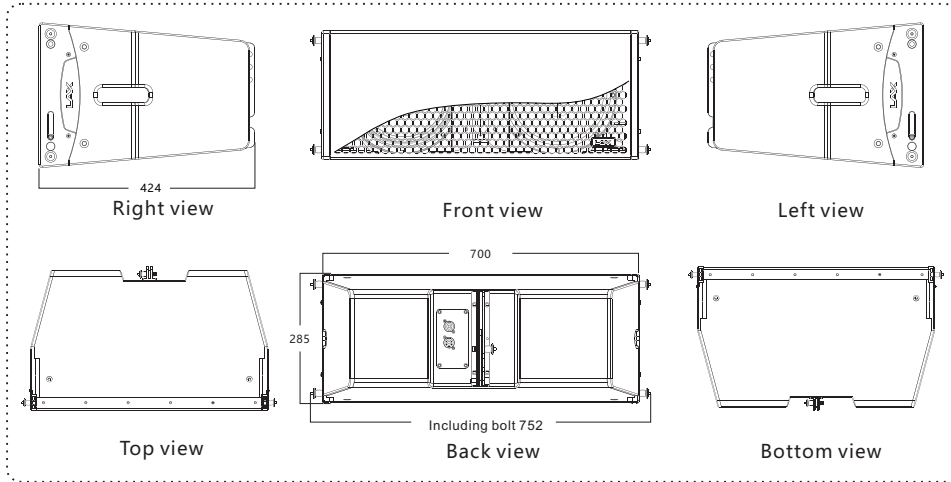
● **PRODUCT CURVE:**

1x10 "



2×10 "

● APPEARANCE DRAWING:



● APPLICATION SCENARIO:

Stadiums, theaters, performing arts halls, multi-purpose halls Lecture hall, auditorium, club, DISCO, mobile performance

● PRODUCT FEATURES:

- The high frequency adopts the latest acoustic lens patent technology to realize the efficient conversion of the wave front from the point sound source to the line sound source. field application.
- Low frequency using 10 "Y35 high performance ferrite, imported material vibration components, inverted box structure suitable for a variety of site applications.
- The all-aluminum built-in pendant reduces the weight of the box and can be used to hang up to 16 speakers with a 7:1 safety factor.The adjustable Angle of each speaker is 0°~ 10°. It can be combined with this series of ultra low speakers.
- The well-optimized tuning makes the speaker have a good transient state. The improved inverter tube system strengthens the structure of the box while reducing the wind noise and airflow in the tube, reducing the adverse vibration of the box and making the sound more pure.

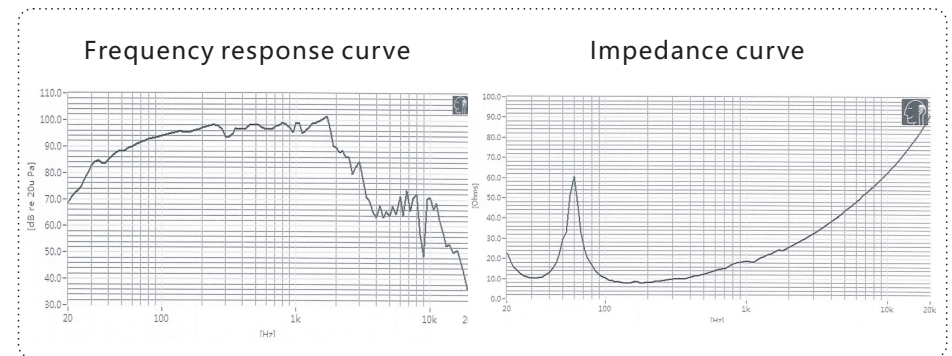
● TECHNICAL PARAMETER:

1×18 "

Frequency response	31.5Hz~500Hz	
Sensitivity	97dB	
Rated impedance	8Ω	
Maximum loud Pressure level	123dB(Continuous)134dB(Peak)	
Rated power	900W	
Box structure	Square box	
Overall dimension	Width 752mm×Height530mm×length600mm	
Net weight	42KG	
Connection mode (Low frequency input)	Regular version:2+2-	Waterproof version:3+4-

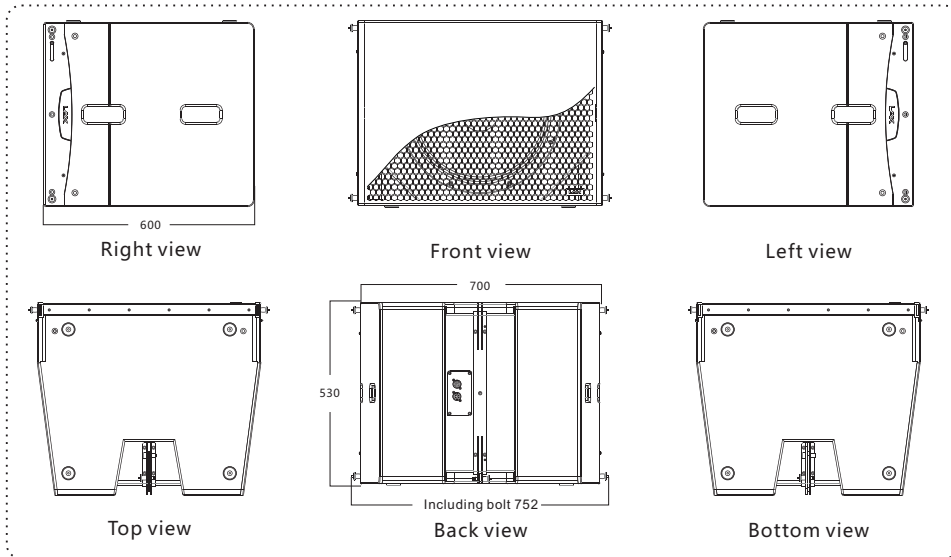
● PRODUCT CURVE:

1×18 "



1×18 "

● APPEARANCE DRAWING:



● APPLICATION SCENARIO:

Stadiums, theaters, performing arts halls, multi-purpose halls Lecture hall, auditorium, club, DISCO, mobile performance

● PRODUCT FEATURES:

- 18-inch high-power output bass driver with 4-inch voice coil and inner and outer double-layer voice coils, the inner and outer voice coils have double the heat dissipation surface area, making the voice coil stronger.
- Good heat dissipation is conducive to the reduction of compression power when the speaker works at a critical high power, ensuring the speaker's long-term stable work and high-efficiency output.
- The well-optimized tuning makes the speaker have a good transient state. The improved inverter tube system strengthens the structure of the box while reducing the wind noise and airflow in the tube, reducing the adverse vibration of the box and making the sound more pure.
- Classic three-point hanging design, alloy aluminum casing and built-in connectors, simple appearance, light and beautiful, and easy hanging installation. Ultra-low and full-frequency products of this series can be combined to form a system according to requirements.

- It is also equipped with all-aluminum built-in hanging parts, which can be connected to the full frequency of this series, and can also be used to stack the full frequency and ultra-low frequency of this series on it. The suspension connection can be used according to different occasions.
- Classic three-point hanging design, alloy aluminum casing and built-in connectors, simple appearance, light and beautiful, and easy hanging installation. Ultra-low and full-frequency products of this series can be combined to form a system according to requirements.

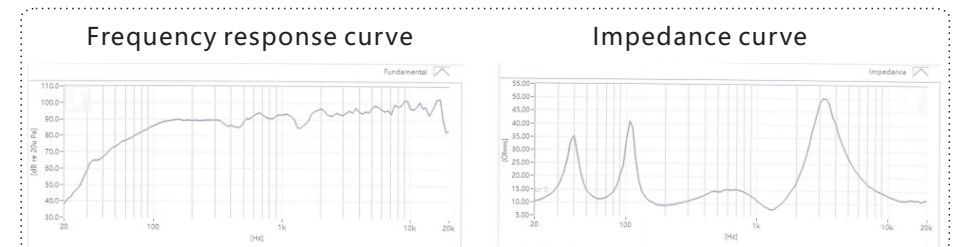
● TECHNICAL PARAMETER:

2×10 "

Frequency response	80Hz~20kHz	
Sensitivity	103dB	
Rated impedance	8Ω	
Maximum loud Pressure level	129dB(Continuous)140dB(Peak)	
Rated power	600W	
Directivity index (H° xV°)	100°×20°	
Box structure	Trapezoidal box, two suction hands placed in the center of gravity of the box.	
Overall dimension	Width 752mm×Height285mm×length424mm	
Net weight	29KG	
Connection mode (Full frequency input)	Regular version:1+1-	Waterproof version:1+2-

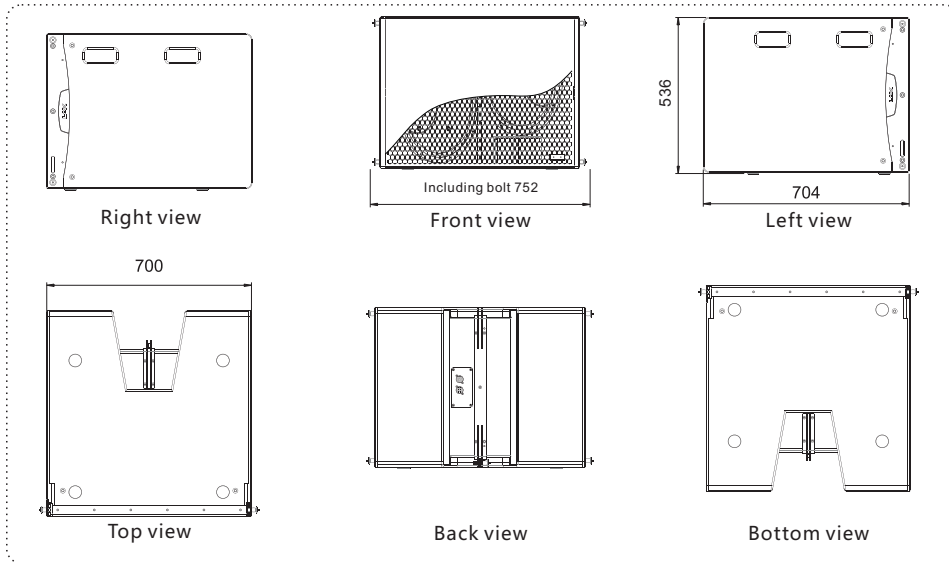
● PRODUCT CURVE:

2×10 "



2×15 "

● APPEARANCE DRAWING:



● APPLICATION SCENARIO:

Stadiums, theaters, performing arts halls, multi-purpose halls, Lecture hall, auditorium, club, DISCO, mobile performance

● PRODUCT FEATURES:

- 18-inch high-power output bass driver with 4-inch voice coil and inner and outer double-layer voice coils, the inner and outer voice coils have double the heat dissipation surface area, making the voice coil stronger.
- Good heat dissipation is conducive to the reduction of compression power when the speaker works at a critical high power, ensuring the speaker's long-term stable work and high-efficiency output.
- The well-optimized tuning makes the speaker have a good transient state. The improved inverter tube system strengthens the structure of the box while reducing the wind noise and airflow in the tube, reducing the adverse vibration of the box and making the sound more pure.
- Classic three-point hanging design, alloy aluminum casing and built-in connectors, simple appearance, light and beautiful, and easy hanging installation. Ultra-low and full-frequency products of this series can be combined to form a system according to requirements.

● TECHNICAL PARAMETER:

2×15"

Frequency response	40Hz-300Hz(-10dB)	
Sensitivity	100dB	
Rated impedance	4Ω	
Maximum loud Pressure level	127.7dB(Continuous)/135.6dB(Peak)	
Rated power	900W	
Box structure	Square box	
Overall dimension	Width 752mm×Height 536mm×length 704mm	
Net weight	58KG	
Connection mode (Low frequency input)	Regular version:2+2-	Waterproof version:3+4-

● PRODUCT CURVE:

2×15 "

